



Wide Waste Technology

- Company information
- Advantages of an adjustable shower base
- Components
- Installation
- Flush fitting your shower base
- Maintenance
- Warranty

Company Information

Wydaflo Pty Ltd is a Queensland based Australian owned company.

- Website: www.wydaflo.com
- Email: wydaflo@gmail.com
- Phone: Sales: +61 428941446
- Address: 12 Quinn Road,
Mt Molloy, Queensland, 4871, Australia

Wydaflo Adjustable Shower Base (WASB)

Adjustable shower tray model: WASB-900

Patent AU-284779

Trademark The logo for Wydaflo, featuring the word 'WYDAFLO' in a stylized, bold, sans-serif font. The 'W' is significantly larger and more prominent than the other letters. A registered trademark symbol (®) is located to the upper right of the 'O'. A thin, curved line is positioned below the letters 'A', 'F', and 'L'.

ACN 165708725

Keep this manual for future reference.

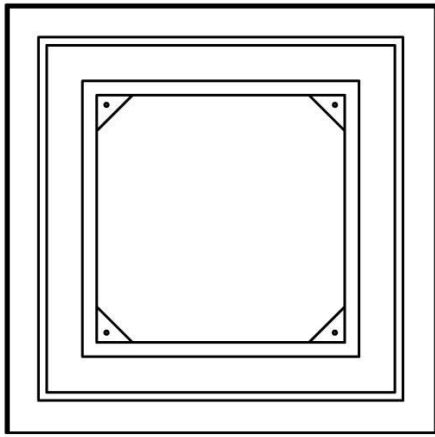
The information contained within this manual is provided as a guide only. It is intended for use by persons having knowledge of this technical area, at their own discretion and risk. Wydaflo Pty Ltd assumes no responsibility for results obtained or damage incurred from the use of this material in whole or by part by the installer.

Advantages of using a WYDAFLO™ Shower Base

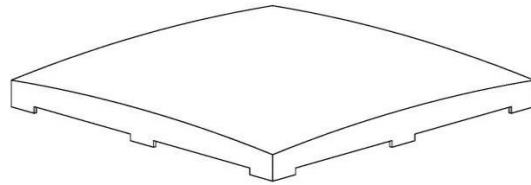
(Compared to fixed waste bases)

- The tray is adjustable in relation to rigid pipework and the walls.
- The trays waste system is fitted visually through the tray from above.
- The tray has no messy grates to clean or dirty pipework visible through the grate.
- The tray is quicker and easier to fit than the old fixed waste system.
- The outer tray can be fitted and left until the house or job is finished. The centre portion can be installed at a later date allowing tilers/plumbers/painters to stand on the floor inside the tray.
- The trays centre insert is easily removed for cleaning or to change the colour of the centre portion, a variety of coloured centre inserts are available, these can be changed at whim to match the current bathroom décor, (colour inserts can be ordered separately).
- The tray is easily fitted recessed into the floor for flush fitting in a confined space as shown on page 10, flush fitting your shower base.
- The tray is visually pleasing and designed to accept stainless steel or a variety of coloured plastic centres (white is standard).

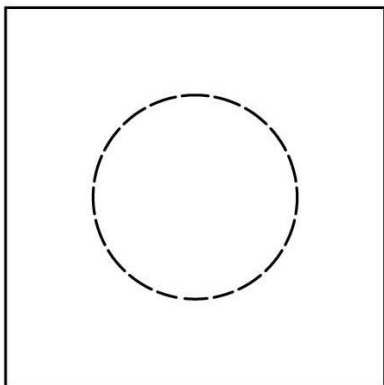
Components



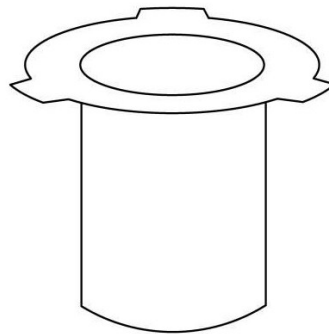
Outer Tray



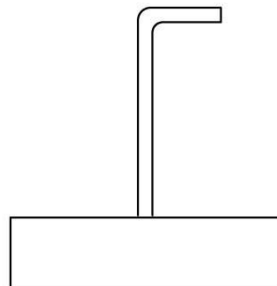
Insert Cap



Clear Pan



Adaptor

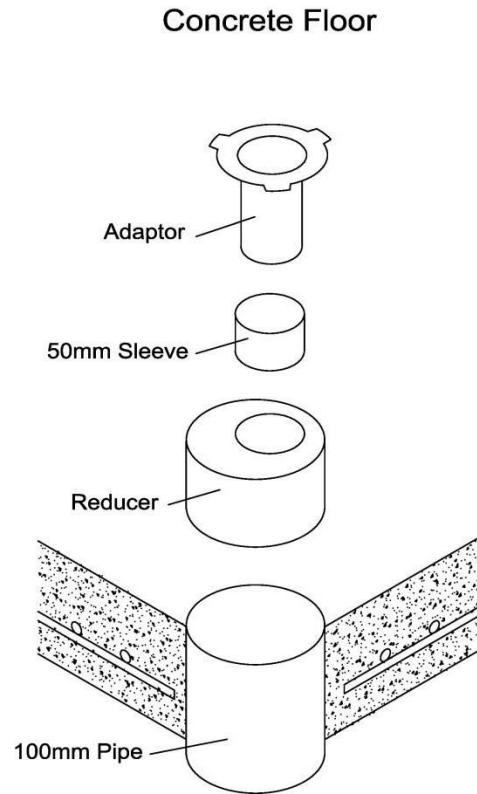
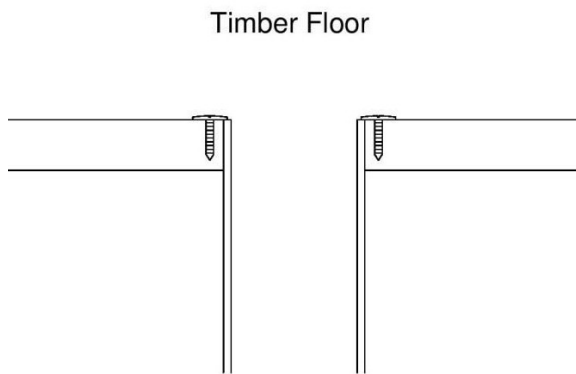


Hook & Handle / Height Gauge

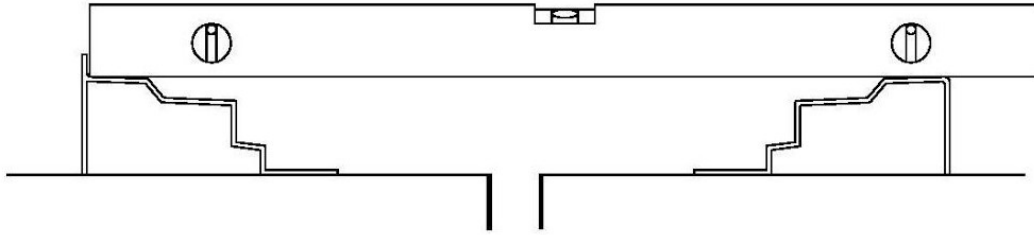
Installation

(A full video of installation is available at www.wydaflo.com)

- 1** Cut the drainage pipe flush to the top of the floor. For timber floors reinforce the pipe with two button head screws to prevent retraction, this is not necessary in concrete. For 100mm pipe a reducer and sleeve is required. The reducer must be glued to its maximum depth.



-
- 2** Prepare the floor area below the base ensuring it is level and flat. Position the outer tray and ensure the outlet will be within the adjustment zone shown on the clear pan.

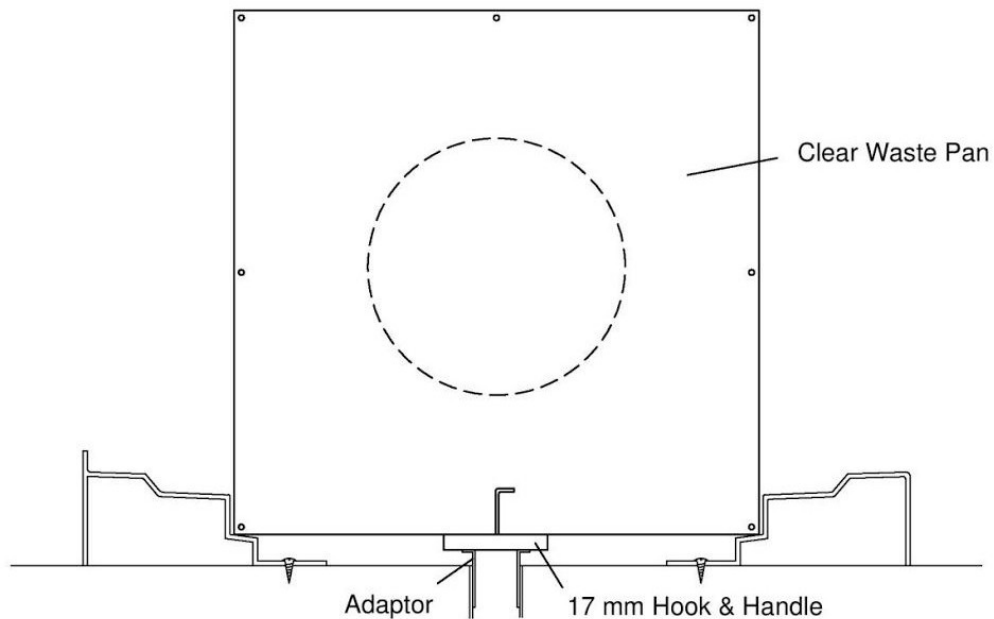


- 3** Place a bead of silicone between the floor and the outside and inside perimeters of the tray, then fasten the four corners with the screws provided.

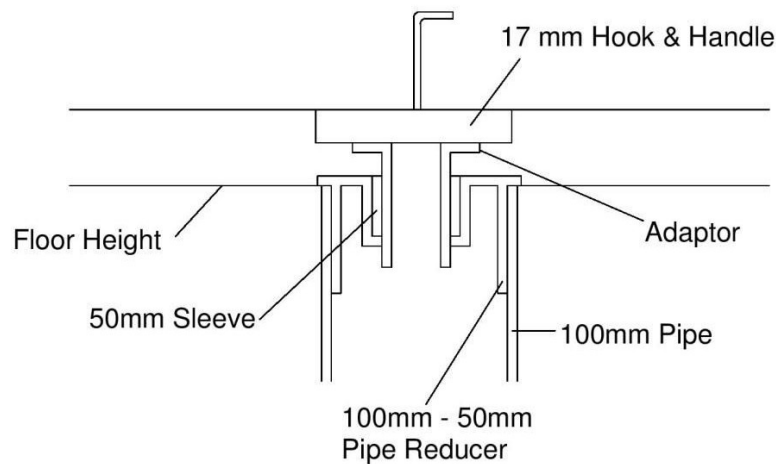


NOTE: The tray can now be left as is until the house or job is complete.

-
- 4a** Prime the pipe and the adaptor. Apply PVC pipe cement (glue) to the pipe and adaptor. Insert the adaptor, place the supplied hook and handle on top of the adaptor to act as a height gauge, then use the clear waste pan as a straight-edge to provide 17 mm of fall.

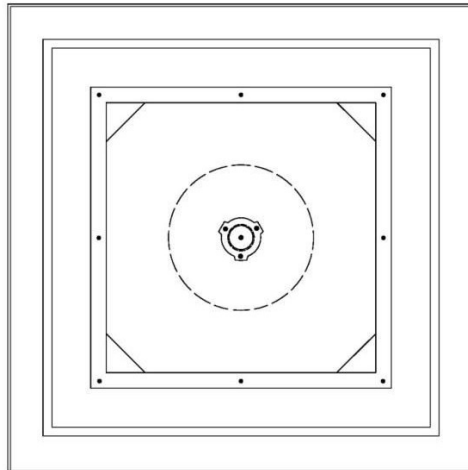


4b 100mm pipe - ensure reducer and sleeve are fully inserted. Some reducers accept the full length of the adaptor, if not cut the adaptor to the required length.

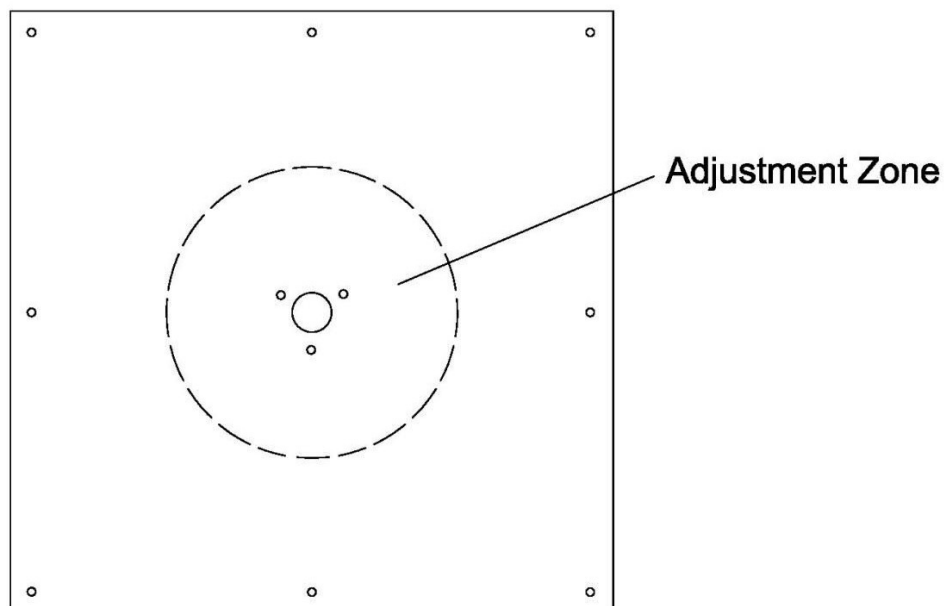


5 Drop in the clear pan, textured side up. Push down the pan until it touches the adaptor, keep the pan pushed down as you visually drill 2.5mm pilot holes through the pan and the adaptor where indicated, also drill a pilot hole into the centre of the

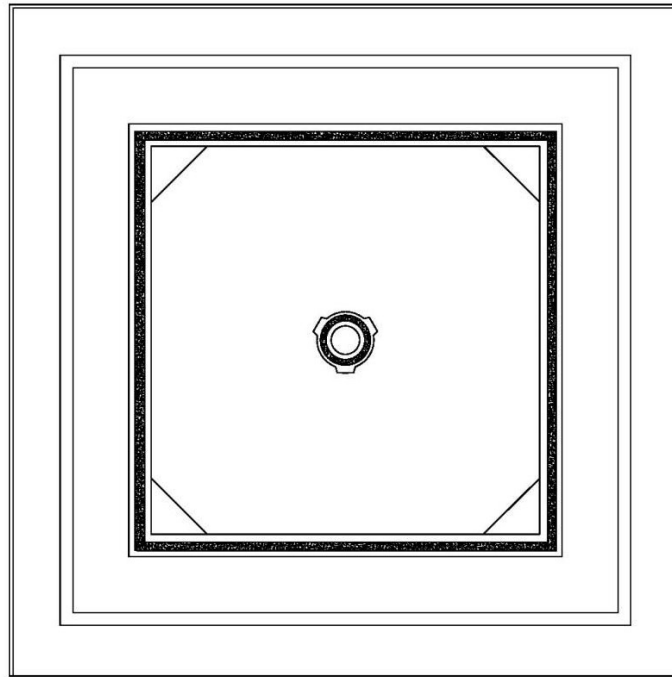
adaptor outlet. Repeat where indicated into the perimeter of the outer tray. Note; when drilling the eight perimeter holes, slightly lean your drill inwards to ensure the screws will be seated square to the collar.



- 6** Hook out the clear pan and expand all holes in the pan to 4.5mm. Enlarge the centre outlet hole with a 38mm hole saw.



- 7** Apply a generous bead of low modulus, neutral cure translucent silicone to the top of the adaptor and the collar of the outer tray. Do not use old or half cured silicone, acetic cure or coloured silicone.



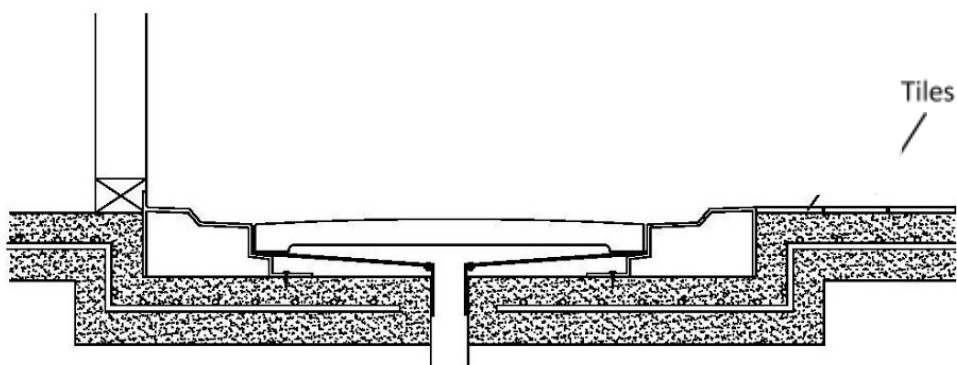
- 8** Return the waste pan to align with the predrilled holes and push the pan down. Start screwing all three adaptor screws; hand tighten the screws together alternating from one to the other until the pan rests on the adaptor. Next screw in the perimeter screws. Clean any excess silicone with mineral turpentine.
-

- 9** Place the insert into the outer tray. Installation is complete. Ensure silicone has sufficient time to set prior to use.

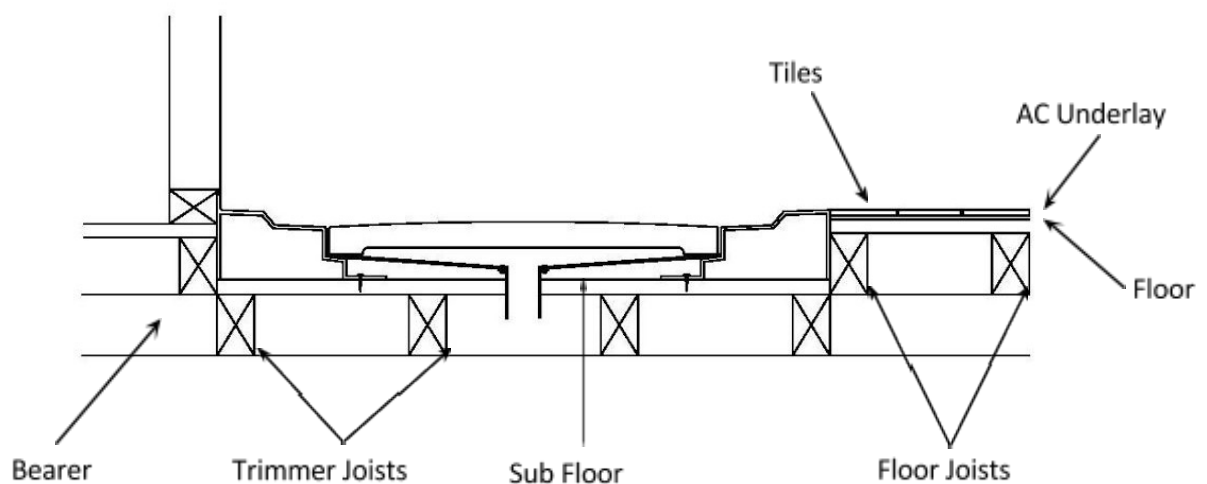
Flush Fitting Your Shower Base

If desired the Wydaflo Shower Base can be easily fitted flush to the floor, due to the installers ability to fit the tray in situ from above.

Typical concrete application



Typical timber application



Maintenance

- All Wydaflo products can be cleaned using a soft cloth and warm water, soap or a suitable household detergent. Always rinse off cleaners within five minutes of application. Never use a scouring cloth or other abrasive object to clean the product.
- If required, the insert cap can be removed using the supplied removal hook.
- If accidental scratches, abrasions or burns occur, the surface finish may be restored by gentle polishing with a fine grit emulsion based plastics cleaner.

Product Warranty

Wydaflo Pty Ltd offers a 2-year replacement guarantee; the warranty applies only to defects or faults which have taken place solely from faulty materials or workmanship. The warranty does not apply to defects as a result of accidental damage, or installation that does not follow the installation manual provided. The warranty does not include costs of installation or removal of the product.

To make a claim your original receipt, contact details and details of the claim; including installers details, installation date and an overview of the defects identified in the product must be provided. This warranty applies to the original purchaser and is non-transferable.